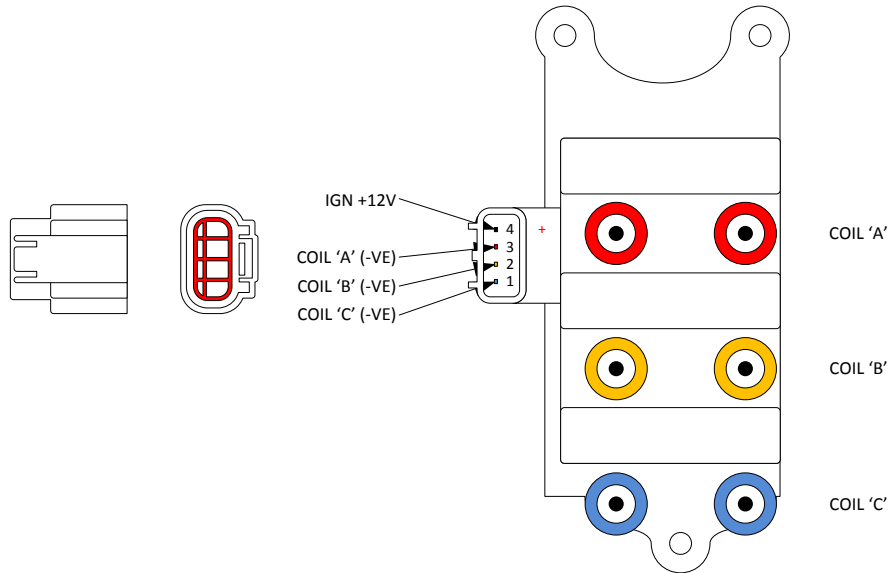


Ford 'Generation 2' Coil Pack, 6-cylinder.



Before connecting to the K3/ K6 ECU, ensure that the ECU is set for 6-cylinder wasted spark.

The ford 'Generation 2' coil pack is 3 separate ignition coils in one package, with a common +12v supply voltage.

Pin configuration:	1-	Coil 'C' negative (-)	ECU pin 4
	2-	Coil 'B' negative (-)	ECU pin 5
	3-	Coil 'A' negative (-)	ECU pin 25
	4-	Common 12v positive (+)	Ignition switched +12v

The HT leads are paired according to their firing order.

For example, 6 cylinder engines with an assumed firing order 1-4-2-5-3-6 (Ford, Alfa Romeo etc.) The HT leads will be paired as follows.

Coil 'A' (-)	HT leads for Cylinders 1 & 5
Coil 'B' (-)	HT leads for Cylinders 3 & 4
Coil 'C' (-)	HT leads for Cylinders 2 & 6