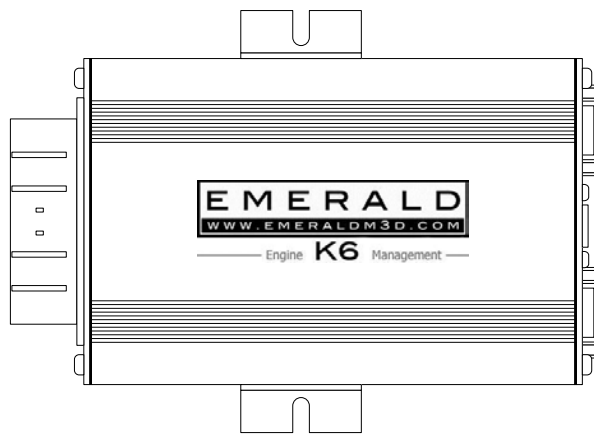
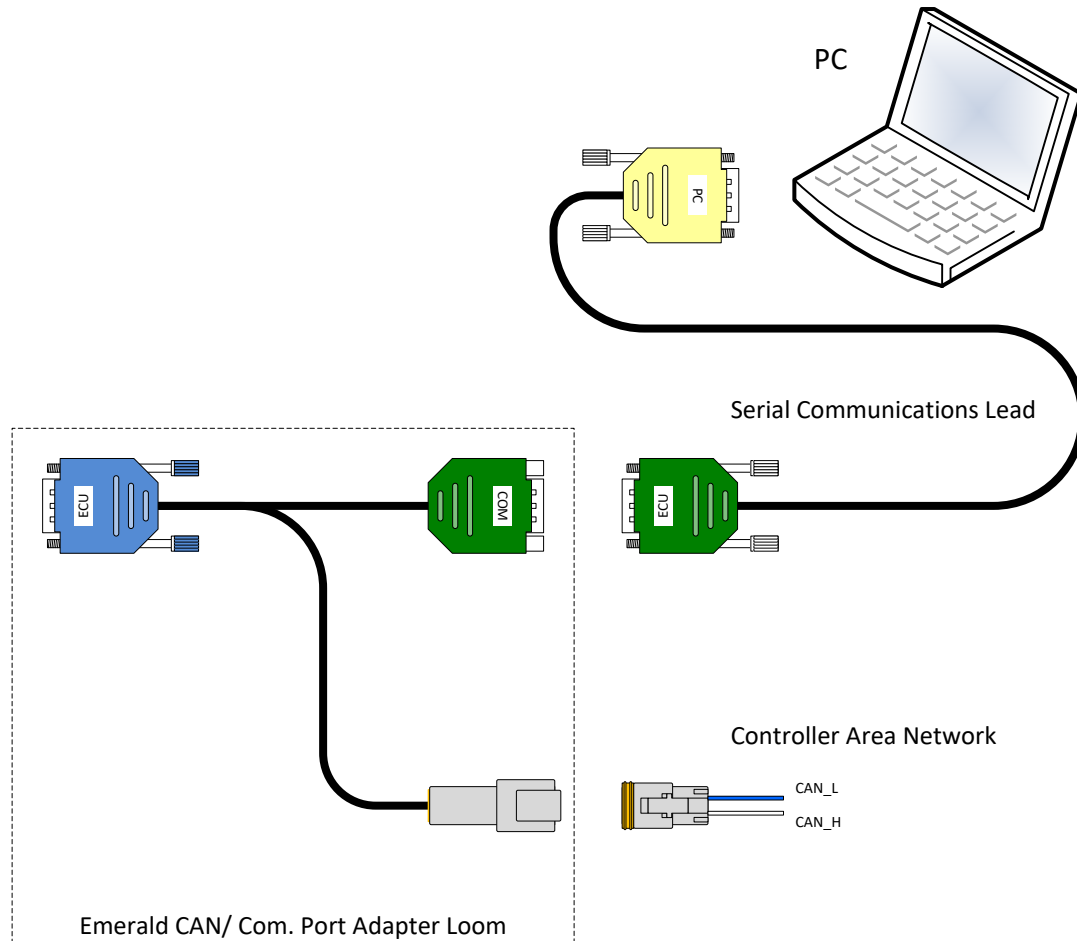


Emerald CAN/ Serial Breakout Loom



1	CAN_H	White
2	CAN_L	Blue



Emerald M3D Ltd, Unit 6 Norwich Road Industrial Estate, WATTON, Norfolk IP25 6DR, UK
 Email: sales@emeraldm3d.co.uk - Website: www.emeraldm3d.com
 Company Registered in England and Wales No.5084610
 Tel: +44(0)1953 889110 Fax: +44(0)1953 889004
 VAT Reg No: GB 839 3626 95